

A Modern Heating System...

Why not install an Air Source Heat Pump (ASHP) system and claim your **£7,500** grant from Ofgem under the Boiler Upgrade Scheme (BUS) towards the cost of upgrading your old heating system. A modern solution for you and your family, whilst reducing your reliance on fossil fuels.

Your new ASHP system would comprise of the following:

A Mono Air Source Heat Pump

New Single Coil Hot Water Cylinder or Heat Battery

Full integration of the system, testing and MCS certification

A full parts warranty from the ASHP manufacturer



Do you still heat your home with oil or liquid petroleum gas (LPG) or have high gas bills and want to:

- Help reduce your heating bills
- Improve your property EPC rating
- Reduce your carbon footprint
- Benefit from the Government BUS funding

but are still worried about the cost of installing a new modern low carbon heating system? We will replace your old system with a high performance heat pump and new efficient hot water cylinder or heat battery into a modern heating system.

We always carry out a full technical survey and property heat loss assessment, to ensure the correct size of ASHP system is installed to match your property heating and hot water demands.



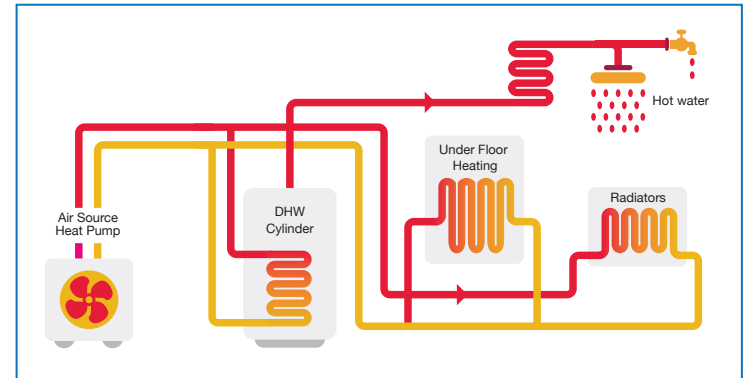
High efficiency air source heat pump are a great way to make your heating system more efficient and achieve lower fuel bills.

Generation 7 models of heat pumps have an efficiency of up to 500% in comparison to a fossil fuel boiler at 85% efficiency and can also cope exceptionally well with low outdoor temperatures.

Our aim is to help you reduce your energy consumption and carbon emissions. By installing a more efficient renewable energy source, you would benefit from greater temperature control, a lower carbon footprint, and save money on future fuel bills.

The Government Boiler Upgrade Scheme funding has increased to a fixed £7,500 capital sum for homeowners looking to install an ASHP for their property.

The scheme is installer lead, which means we deal with your application for you from start to finish. There is now additional funding available up to March 2030 within England and Wales.



We never install a system without first undertaking a full technical survey and property heat loss assessment. This process ensures the correct system size is installed to meet your heating and hot water requirements. We will also beat any like for like system quotation. This could well be one of your best property investments. Why not put us to the challenge?

AirSourceUK

Act **NOW** by applying on our website or call us for a more information.

www.airsourceuk.org

Tel: 0333 577 4610

Email: info@airsourceuk.org